

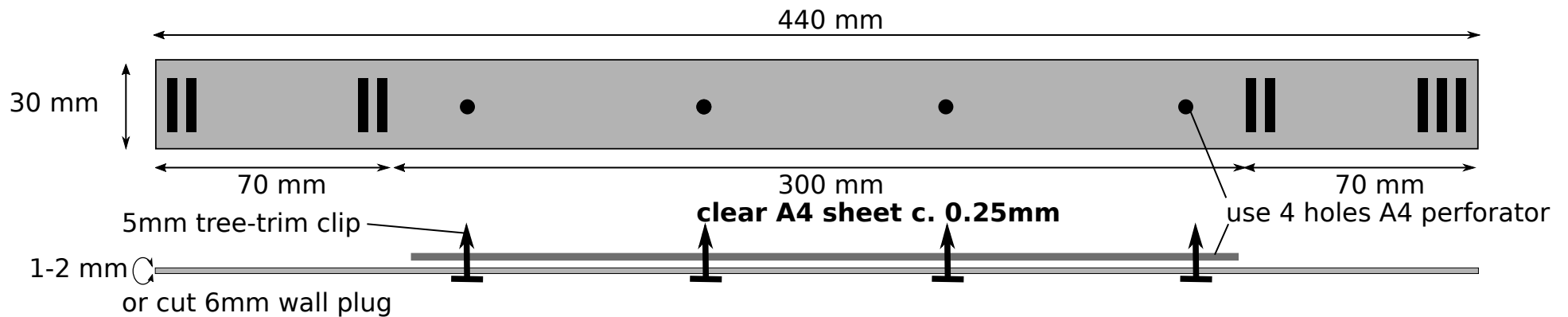


Faceshield Design V3

Please check potential updates on <https://www.plasticatbay.org/2020/03/29/plasticbay-faceshield-design/>

30/03/2020

die clipped



open mould (under development)

